

Eclipse Stainless Steel Sampling Stations

Eclipse #88-SS



CORROSION FREE!

- Designed for use in all climates
- All surgical stainless steel waterway and parts
- Lockable cast-aluminum enclosure
- 7/16" compression style sampling point
- No drain valve to prevent cross-contamination
- 1/4" petcock/evacuation tube to remove excess water in freezing seasons (hand pump sold separately)
- Vinyl outlet covers to keep out contaminants
- Maintainable from above ground-no digging!
- Optional 3' pedestal and cast door logo

- Designed for use in non-freezing warm climates
- All surgical stainless steel waterway and parts
- Lockable cast-aluminum enclosure
- 7/16" compression style blow-off
- 1/4" hydraulic cylinder petcock sampling bibb
- Vinyl outlet covers to keep out contaminants
- Maintainable from above ground-no digging!
- Optional 3' pedestal and cast door logo



Evacuation Hand Pump



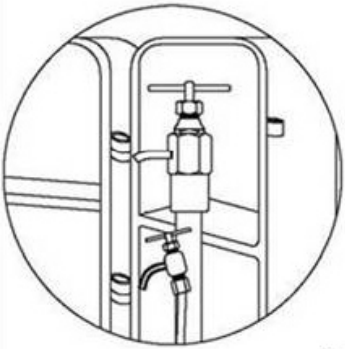
Cast Door Logo

Pedestal



Eclipse #88WC-SS

Eclipse #88-SS Sampling Station



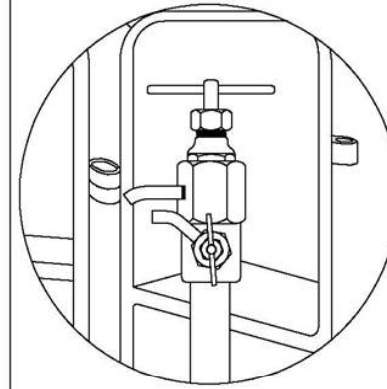
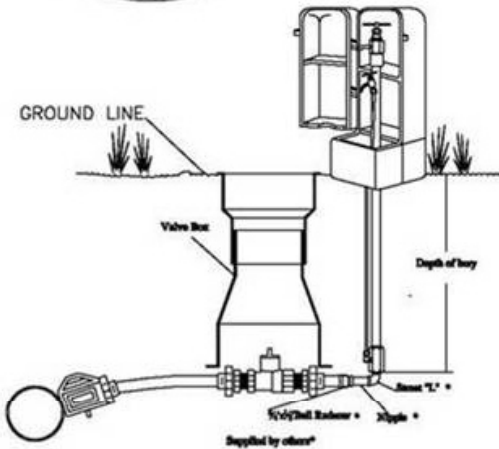
Sampling Stations shall be ___' bury, with a $\frac{1}{2}$ " FIP inlet, and a $\frac{7}{16}$ " unthreaded blow off and sampling bibb.

All stations shall be enclosed in a lockable, nonremovable aluminum housing with hinged opening.

When open, the station shall require no key for operation, and water will flow in an all stainless steel waterway.

All working parts shall be of stainless steel and serviceable from above ground with no digging or replacement needed.

A stainless steel pet cock will be located below the sampling bibb to allow pumping of remaining water to insure non-freezing, as manufactured by Kupferle Foundry, St. Louis Mo. 63102, Mainguard Model # 66, or approved equal. 1 pump shall be furnished with every ___ stations.



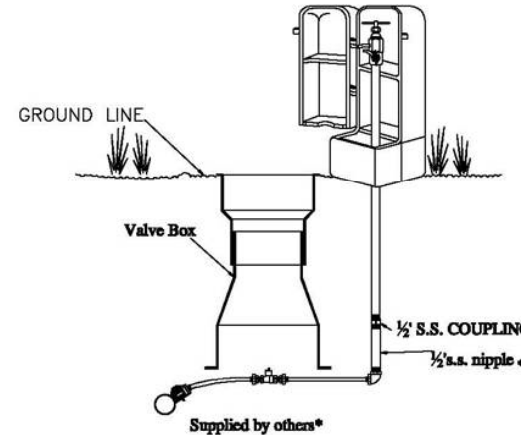
Sampling Stations shall be 1' Bury, with a $\frac{1}{2}$ " MIP Inlet, and a $\frac{7}{16}$ " unthreaded blow off, and a $\frac{1}{4}$ " unthreaded sampling point.

All stations shall be enclosed in a lockable, non-removable aluminum housing. All openings shall be hinged.

When open, the station shall require no key for operation, and water will flow in an all stainless steel waterway.

All working parts shall be of stainless steel and serviceable from above ground with no digging or replacement needed.

A slow turning valve with 6 turns to open will control the water flow, and be located after the sampling bibb, as manufactured by Kupferle Foundry, St. Louis Mo. 63102. Model #66WC, or approved equal.



THIS DRAWING IS THE PROPERTY OF THE KUPFERLE FOUNDRY COMPANY. IT IS NOT TO BE USED OR DUPLICATED WITHOUT PERMISSION OF THE OWNER.

DRAWN	F.M.	 KUPFERLE FOUNDRY COMPANY 2511 NORTH 9TH STREET, ST. LOUIS, MO 63102 314-231-8738 800-231-3990 FAX 314-231-2820 http://www.hydrants.com
APPROVED		
DATE	5-24-11	
MATL.		
PART NO.	466 SAMPLING STATION	

SHEET 1 OF 1



2511 North 9th Street
 St. Louis, MO 63102
 800-231-3990
www.hydrants.com

Distributed by: